

|||| HENNIG[®]

PROTECT YOUR SUCCESS

ROLL UP DOORS

Installation Manual



ROLL UP DOORS INTRODUCTION

Category	Page
Ordering Instructions for Spare Parts	2
Installation Instructions	4-10

The Hennig roll-up door is a lightweight and compactable shutter door that is adaptable to a wide array of door opening applications. The Hennig Roll-Up Door is designed to seal the door opening from the environment while maximizing the usable interior space. These are mainly used, but not limited to, work trucks, utility trucks, and delivery vehicles applications. Each unit is customized to fit the door opening provided by the customer. The life of the Hennig Roll-Up Door can be extended greatly by following the instructions and guidelines in this manual.

For assistance in new applications or questions regarding your system, please contact a Customer Service Representative at our U.S. manufacturing facility:

**Hennig, Inc.
9900 N. Alpine Road
Machesney Park, IL 61115
815-636-9900
info@hennig-inc.com**

Please carefully read and follow these instructions before installation

1. Assure that the door opening is clear and free of any obstructions like welds, burrs, or hardware.
2. Carefully unpack the door assembly to prevent any damage and scratches. Verify that all components are present, refer to Figure 12 on page 10.
3. Hennig recommends pre-drilling for all the mounting hole locations, however, most of the mounting hole locations can be drilled as the components are installed.

Tools and Equipment Required (not included):

- Screwdriver
- Allen Wrench Set (metric)
- Pliers or Vice Grip
- Wrench: 7/16"
- Drill
- Rubber Mallet
- Drill Bits: 11/64"
- Marking Pen
- Tape Measure

CAUTION!

**KEEP HANDS, FEET, AND CLOTHING
CLEAR OF MOVING PARTS**

Note: The Hennig Roll-Up Door should be installed with a minimum of two people.

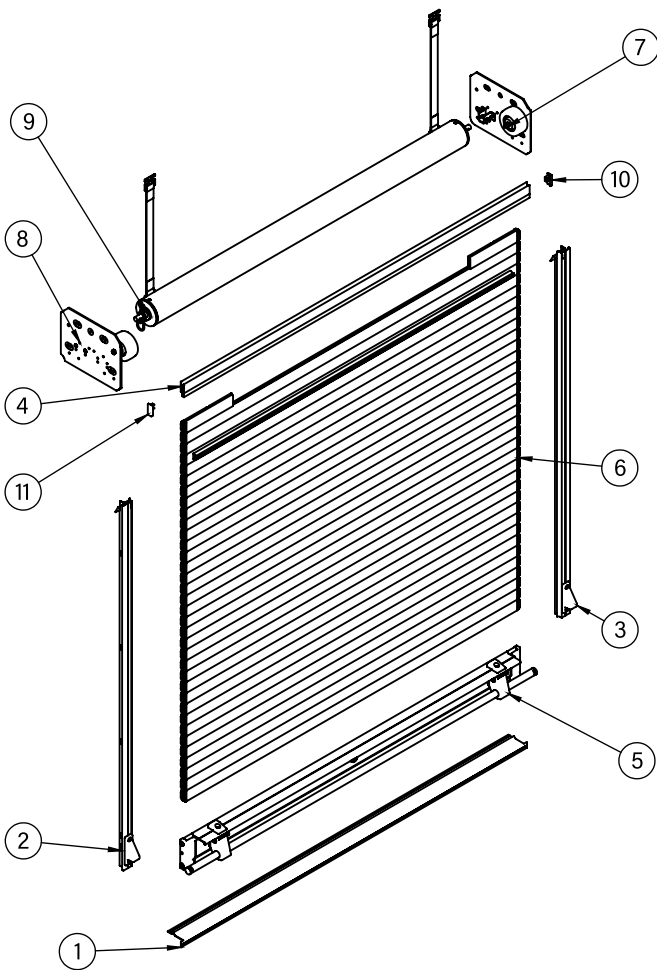
2. ORDERING INSTRUCTIONS FOR SPARE PARTS

IMPORTANT INSTRUCTIONS FOR ORDERING SPARE PARTS

It is important to have the following information available when ordering spare parts:

- Model Number*
- Serial Number*
- Hennig No.*
- Date*
- Part Name

(*) May be found on the name plate located on the door.



Item #	Description	Qty
1	sill plate profile	1
2	side rail assembly, left hand	1
3	side rail assembly, right hand	1
4	drip rail assembly	1
5	bottom rail assembly	1
6	apron assembly	1
7	pennant plate assembly, right hand	1
8	pennant plate assembly, left hand	1
9	roll up tube assembly	1
10	drip rail end cap, right hand	1
11	drip rail end cap, left hand	1

3. INSTALLATION INSTRUCTIONS

3.1 MOUNT THE PENNANT PLATES

1. Determine the pennant plate for each side by verifying the roller wheel location, which will be on the door opening side. The left-hand pennant plate is shown on Figure #1.
2. Verify that the fasteners on the roller wheels are tight. Use a 7/16" wrench or pliers.
3. The pennant plates must be mounted in the same plane as the door opening width as shown in Figure #1.
4. Temporarily mount the pennant plate as shown in Figure #1 and mark the mounting hole locations. Drill the holes using a 11/64" drill bit.
5. The pennant plates can be permanently mounted now with a #10 screw.

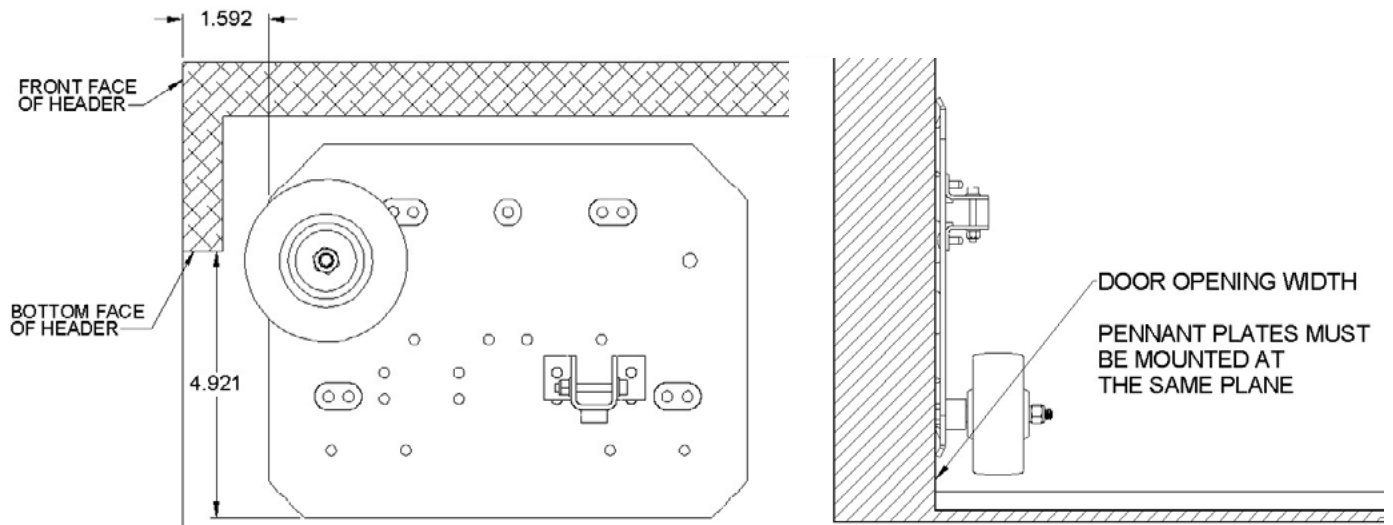


Figure #1: Left-hand pennant plate mounting

3. INSTALLATION INSTRUCTIONS

3.2 MOUNT THE SILL PLATE (IF APPLICABLE)

1. Position the sill plate to be flush with the floor and centered as shown in Figure #2.

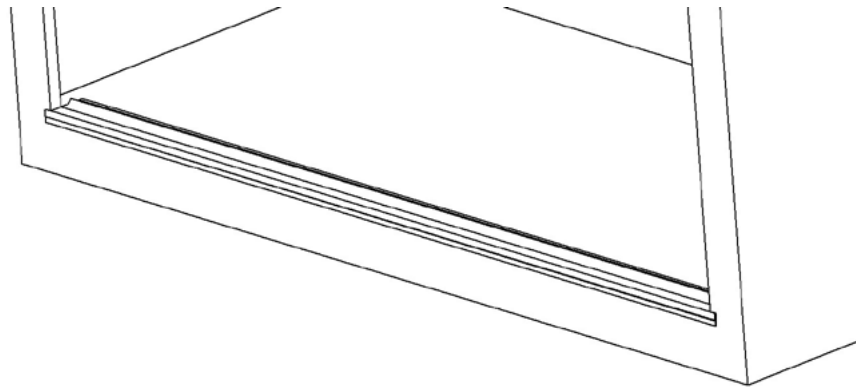


Figure #2

2. Mark the holes on the seam line with 12" spacing between as shown in Figure #3. Use the 11/64" drill bit for the mounting holes.

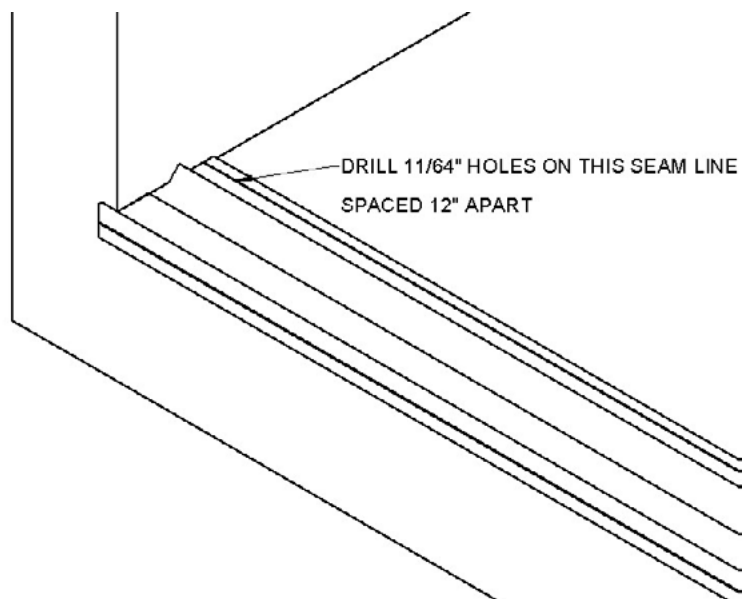


Figure #3

3. The sill plate can be permanently mounted now using a #10 screw.

3. INSTALLATION INSTRUCTIONS

3.3 PRE-DRILL THE SIDE RAILS

1. Determine the side rail for each side by referring to the top views shown in Figure #4.

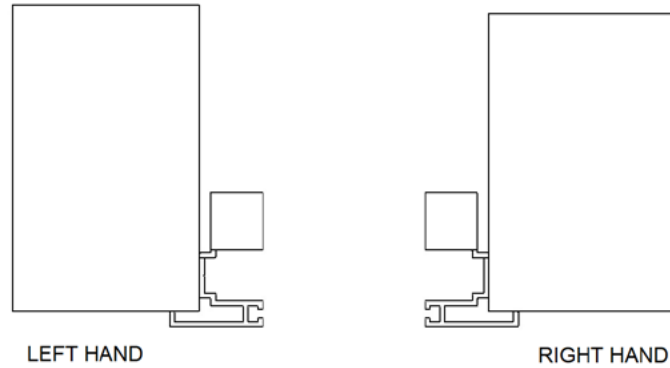


Figure #4: Top view of side rails

2. Temporarily position the side rail by placing it flush against the floor or sill plate, as shown in Figure #5.

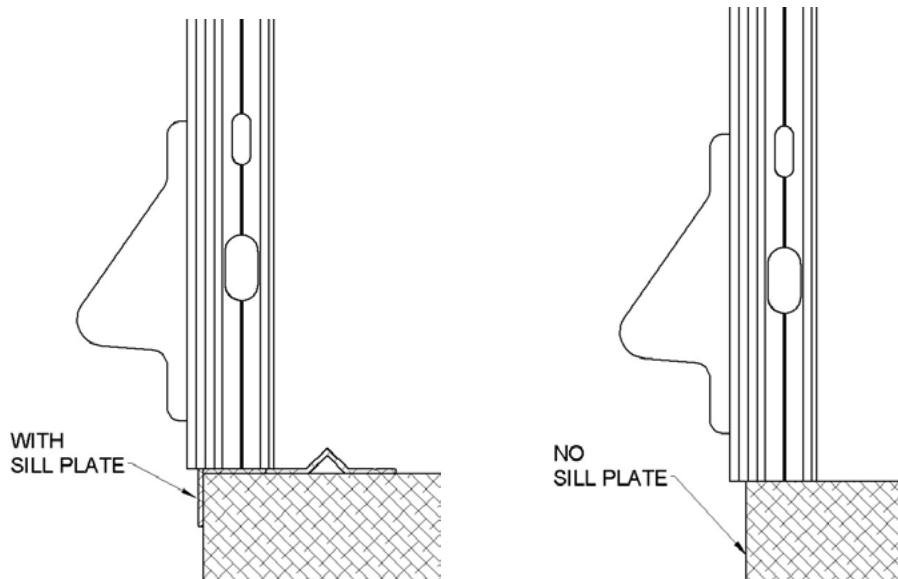


Figure #5: Side view of left-hand side rail

3. If the side rails are pre-drilled, mark the holes and drill a 11/64" hole. If side rails are not pre-drilled, use the seam line as a center line and drill 11/64" holes 12" apart and then remove the side rails.

3. INSTALLATION INSTRUCTIONS

3.4 MOUNT THE ROLLER ASSEMBLY

Pennant plates from Step 1 must be installed to proceed.

1. Place the roller assembly in between the pennant plates. The shaft ends will slide onto the pre-installed brackets. The upward direction of the straps determines the correct orientation.
2. Use an M4 Allen wrench and vice grips to install the included bolt and nut. See Figure #6.

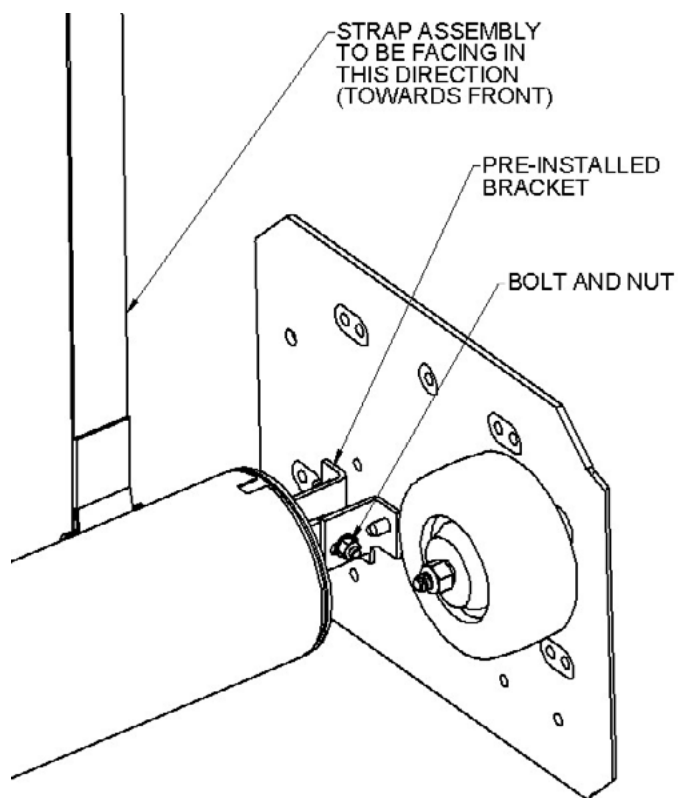


Figure #6

3. INSTALLATION INSTRUCTIONS

3.5 MOUNT THE SHUTTER DOOR

The side rails and top drip rail must not be installed before proceeding with this step.

1. From the front of the door, start rolling the top of the shutter door (side with T-slot hanger slat) onto the idler wheel and roller wheel. When the shutter door is fully rolled over the idler wheel, slide the bottom of the shutter door (side with locking slat) through the movable side rails. See Figure #7.

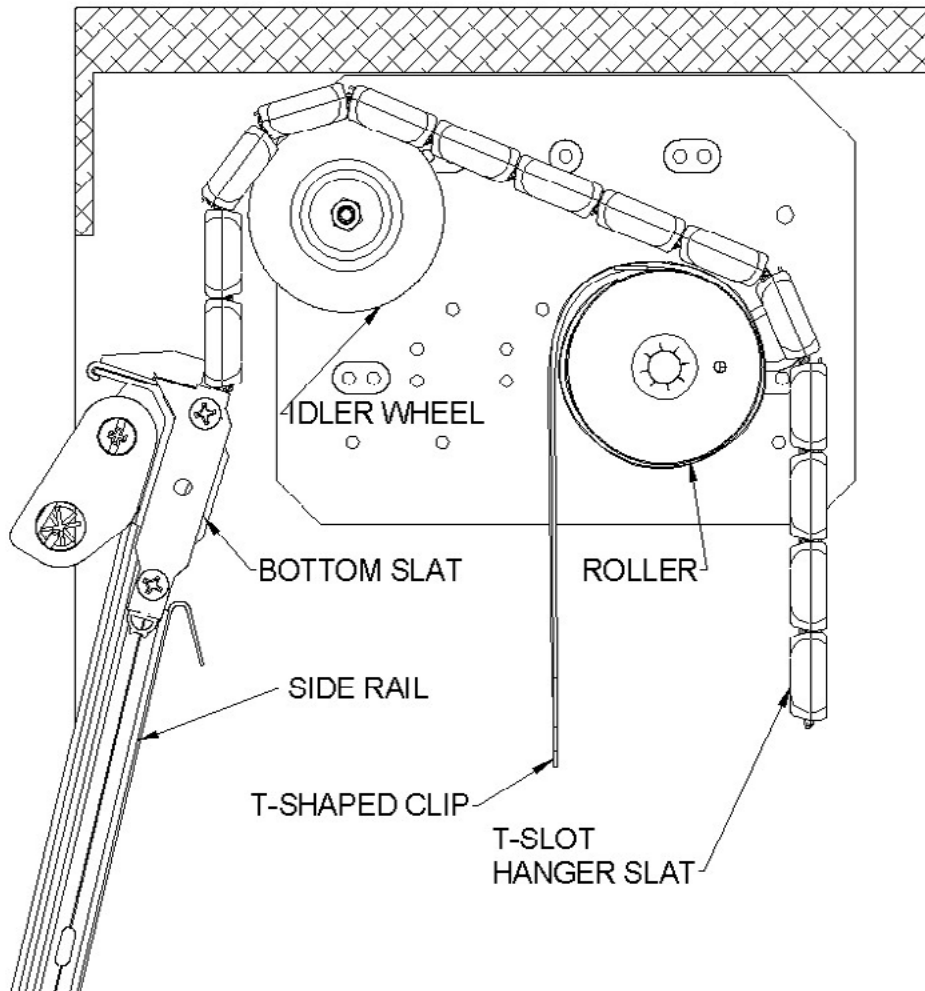


Figure #7

3. INSTALLATION INSTRUCTIONS

3.5 MOUNT THE SHUTTER DOOR (continued)

2. The side rails can now be permanently mounted at this time with #10 screws.
3. Attach the shutter door to the roller assembly by inserting the T-shaped clips into the T-slot hanger slats. For safety, this must be done before releasing the pre-load in the next step.
4. The roller assembly will be shipped with a pre-load already set, where the tension is held on by a cotter pin. To remove the cotter pin, it is advised to have two people: one rotating the roller slightly clockwise while the other pulls out the cotter pin. See Figure #8.

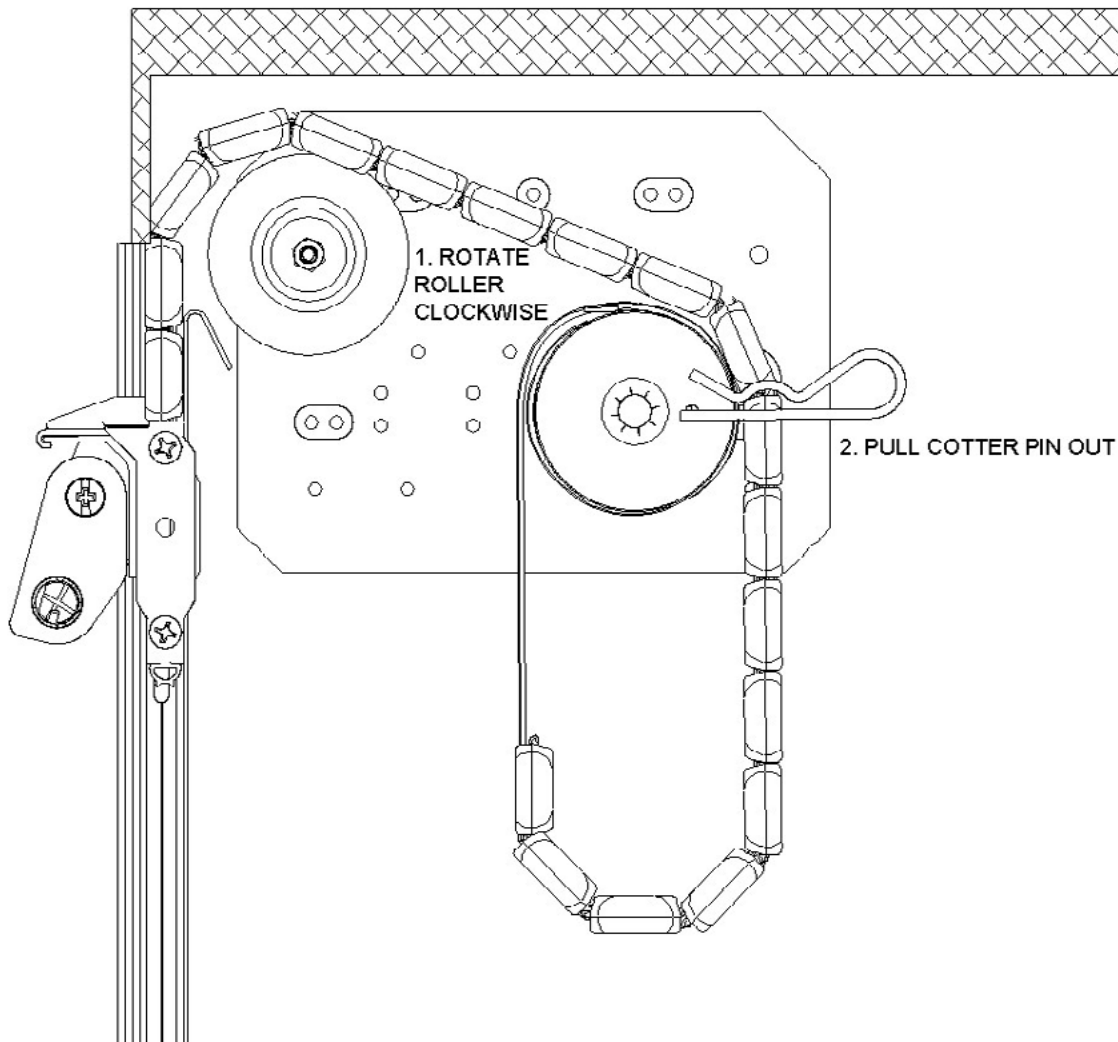


Figure #8

3. INSTALLATION INSTRUCTIONS

3.6 MOUNT THE TOP DRIP RAIL

- 1. Temporarily mount the top drip rail by positioning the bottom surface flush against the bottom of the header as shown in Figure 9.

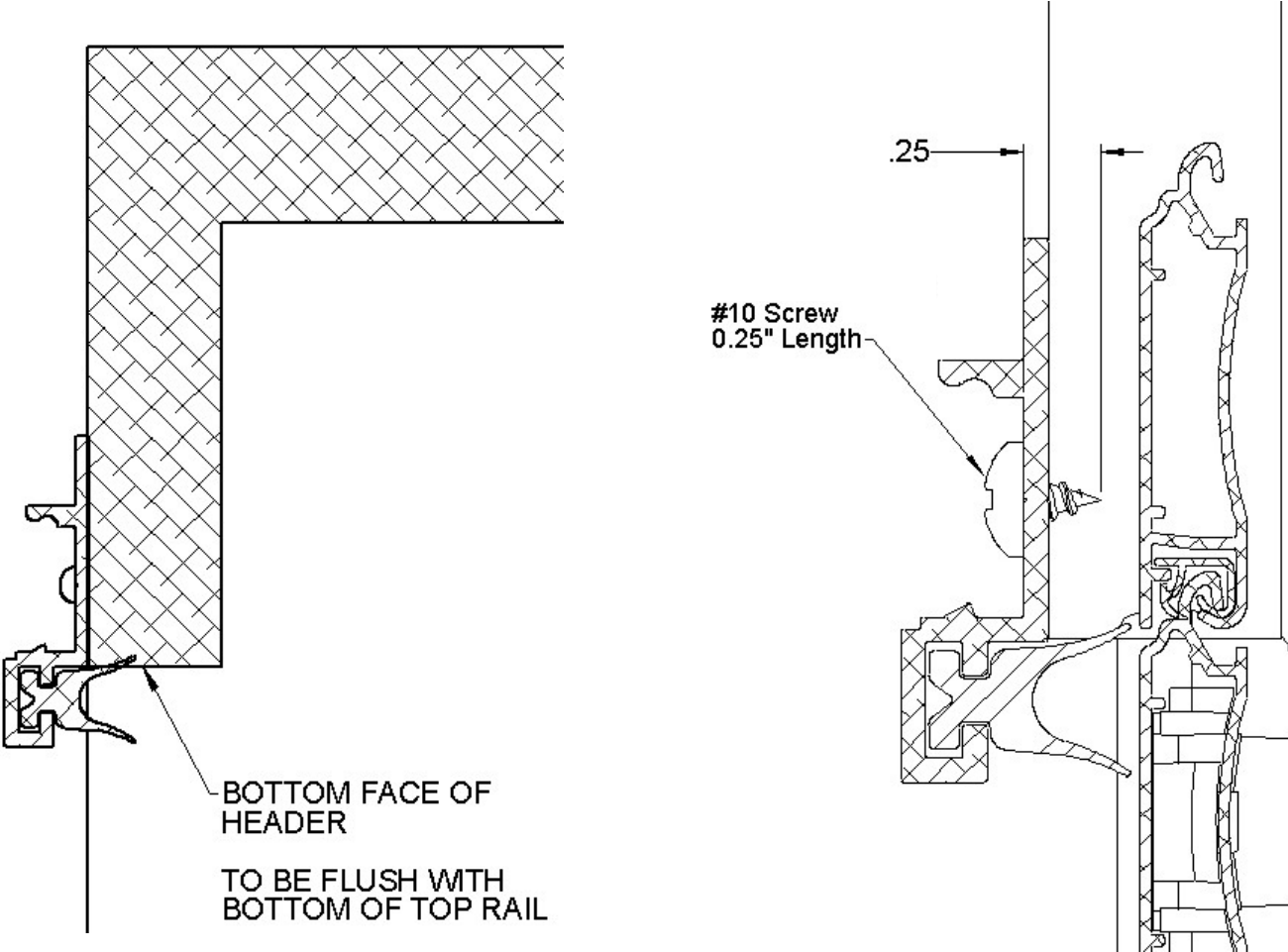


Figure #9

3. INSTALLATION INSTRUCTIONS

3.6 MOUNT THE TOP DRIP RAIL (continued)

2. The length of the seal will be 1.75" shorter than the door opening width and centered. If needed, cut the top seals to this length. Install the seal on the top drip rail by sliding it in.
3. If the top drip rail is pre-drilled, mark the holes and drill 11/64" holes. If it is not pre-drilled, use the seam line as a center line and drill 11/64" holes 12" apart. See Figure #10.

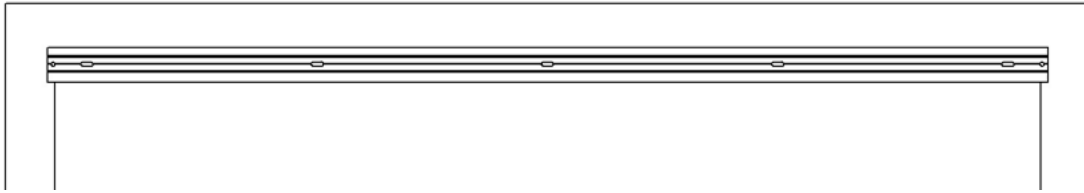


Figure #10

4. The length of the screws needs to be less than 0.3" in length for clearance. Use the supplied #10 self-tapping screws with a length of 0.25". See Figure #9.
5. Slide the drip rail cover from either side of the top drip rail.
6. To install the drip rail end caps, use a rubber mallet to tap them from the side. These have a snap-in design as shown in Figure #11.

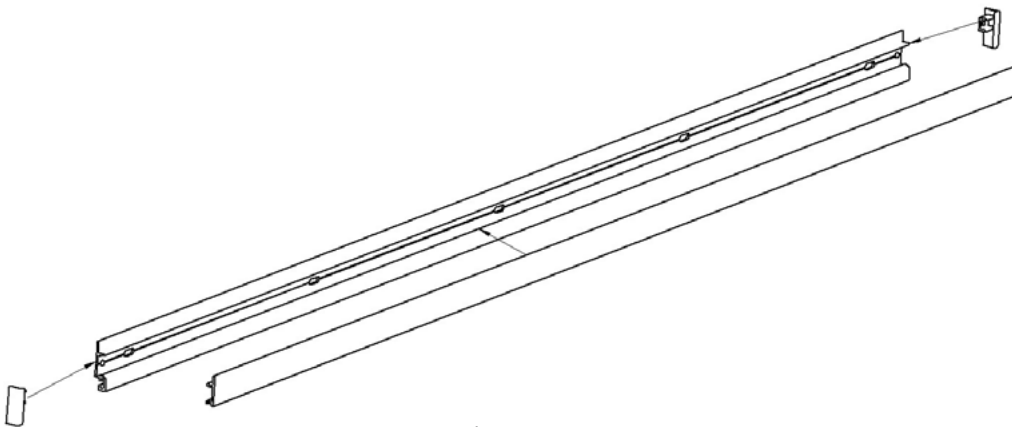


Figure #11

||| HENNIG[®]

PROTECT YOUR SUCCESS

For over 65 years, Hennig has been defining excellence in machine protection, creating regional jobs, serving their local communities, and supporting the global needs of machine tool customers.

In the case of both hinged and roll-up doors, it can be difficult to find a manufacturer dedicated to long-term service and support. Hennig offers customers a quick and responsive service team, however, if you find a roll-up door expert near you they may also be a good option for maintenance and repairs as needed.

CONTACT US WITH ANY QUESTIONS OR ISSUES ON YOUR INSTALLATION

Brock Shattuck
brock@hennig.ame.com
815-316-5129

Data Subject To Change WTIM 1022 Printed in the USA Copyright 2022

ISO 9001:2015
REGISTERED

hennigworldwide.com